

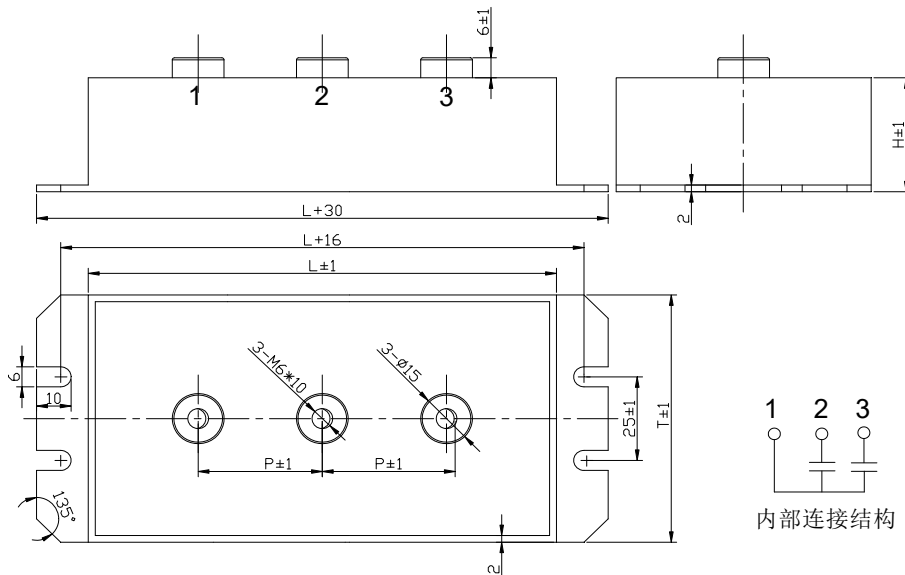
特点/ Features

- ◆ 聚丙烯薄膜介质 Polypropylene film
- ◆ 金属化聚丙烯薄膜内串结构 Metalized polypropylene film with internal series connection
- ◆ 高电压,高 dv/dt,具有自愈性 High voltage. .high dv/dt. Self healing
- ◆ 低损耗, 低自感 Low loss Low inductance
- ◆ 镀锡铜螺母 Tinned copper.screw
- ◆ 铝壳封装,阻燃环保塑料外壳 Aluminum case, Resistant plastic case

技术性能 / Specifications

引用标准	Reference standards :	IEC 61071, GB17702
使用温度范围	Opearing temperature range	-40 to + 85°C(max hotspot≤70°C)
储存温度	Storage temperature	-40 to + 85°C
容量范围	Capacitance range	2× (0.3~1.4); 0.6 to 1.35μF
额定电压	Rated Voltage:	2000 to 3000 Vdc
电容量偏差	Capacitance tolerance	± 5%(J) ± 10%(K)
损耗角正切	Dissipation factor:	<0.0005(1k Hz 20± 5°C)
绝缘电阻	Insulation resistance:	30,000s but need not exceed 30GΩ after 1 minute of elePTR-Cification at 100Vdc (25±5°C)
极间耐电压	Test voltage between terminals :	1.5Ur (DC) applied for 10s at 25±5°C
预期寿命	Life expectancy :	100,000 hours at Un and 70°C

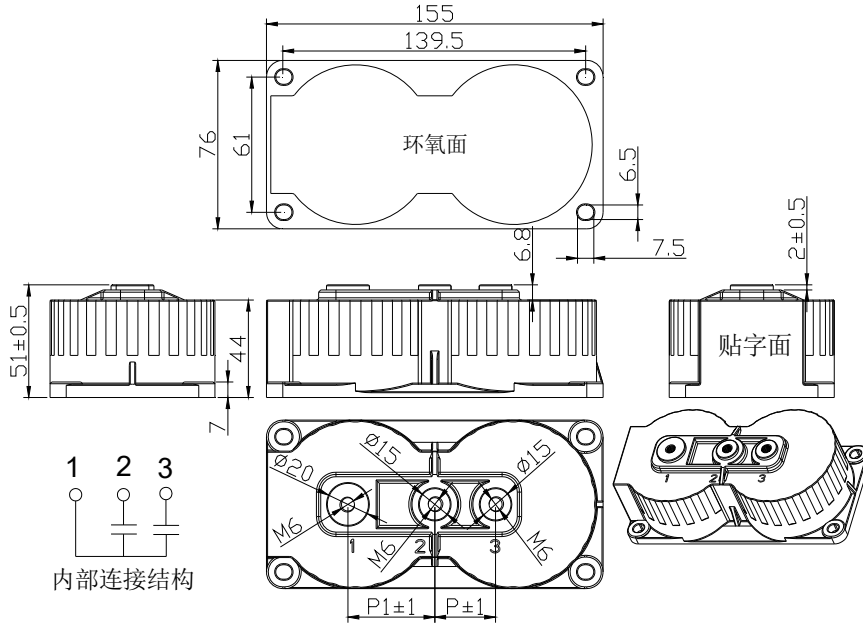
铝外壳封装外形图:



常用规格技术数 General ElePTR-Cical data

Part Number	Cap (μF)	L (mm)	T (mm)	H (mm)	P (mm)	du/dt (v/μs)	I _{rms} @45°C @10kHz	Output insert
PTR-C2000K2×0.6- #	2×0.6	125	65	35	28	1000	2×45	3×M6
PTR-C2000K2×0.8- #	2×0.8	125	65	35	28	1000	2×50	3×M6
PTR-C2000K2×1.0- #	2×1.0	145	80	35	28	1000	2×60	3×M6

PTR-C2000K2×1.2- #	2×1.2	145	80	35	28	1000	2×65	3×M6
PTR-C2000K2×1.4- #	2×1.2	145	80	35	28	1000	2×70	3×M6



常用规格技术数 General ElePTR-Cical data

Part Number	Cap (μ F)	L (mm)	T (mm)	H (mm)	P (mm)	P1 (mm)	du/dt (v/ μ s)	I _{rms} @45°C @10kHz	Output insert
PTR-C3000J2×0.4- #	2×0.4	155	76	44	28	40	1500	2×45	3×M6
PTR-C3000J2×0.6- #	2×0.6	155	76	44	28	40	1500	2×50	3×M6
PTR-C3000J2×0.65- #	2×0.65	155	76	44	28	40	1500	2×50	3×M6
PTR-C3000J2×0.7- #	2×0.7	155	76	44	28	40	1500	2×60	3×M6
PTR-C3000J2×0.75- #	2×0.75	155	76	44	28	40	1500	2×65	3×M6
PTR-C3000J2×0.8- #	2×0.8	155	76	44	28	40	1500	2×68	3×M6
PTR-C3000J2×0.9- #	2×0.9	155	76	44	28	40	1500	2×70	3×M6
PTR-C3000J2×0.96- #	2×0.96	155	76	44	28	40	1500	2×72	3×M6
PTR-C3000J2×1.0- #	2×1.0	155	76	44	28	40	1500	2×75	3×M6
PTR-C3000J2×1.15- #	2×1.15	155	76	44	28	40	1500	2×80	3×M6
PTR-C3000J2×1.2- #	2×1.2	155	76	44	28	40	1500	2×80	3×M6
PTR-C3000J2×1.35- #	2×1.35	155	76	44	28	40	1500	2×85	3×M6

产品编码说明:

PTR-C3000J2×1.0-M6-155 “M6”=output “155”=Length