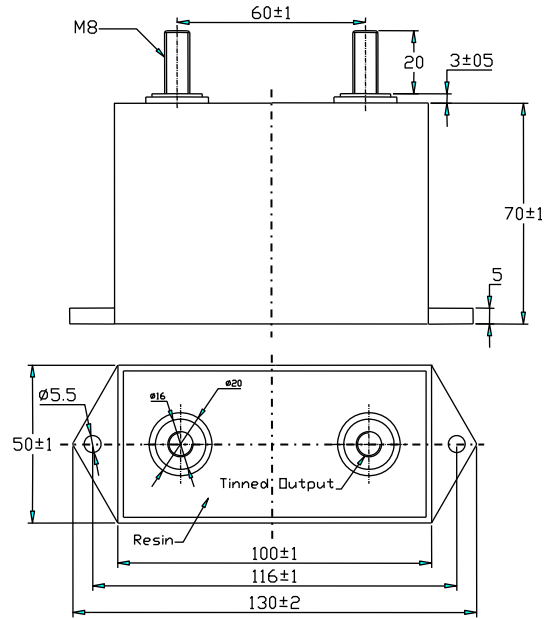


特点/ Features

- ◆ 金属化聚丙烯薄膜
- ◆ 低损耗, 低自感
- ◆ 阻燃塑料外壳, 环氧树脂封装 (94-V0)
- ◆ 镀锡铜螺母引出
- ◆ 高脉冲, 大电流

技术性能 / Specifications

引用标准	IEC 61071,
使用温度范围	-40 to + 85°C(max hotspot≤70°C)
储存温度	-40 to + 85°C
容量范围	0.04 to 10μF
额定电压	500 to 5000 Vac
电容量偏差	± 5%(J) ± 10%(K)
绝缘电阻	≥ 5000 s after 1 minute of electrification at 100Vdc (25±5°C))
极间耐压	2.0Un applied for 10s at 25±5°C
极壳电压	3.0 KV 50Hz for 60 sec
预期寿命	100,000 hours at Un and 70°C



常用规格技术数 General Electrical data

Part Number	Capacitance (μF)	Full Power kHz	I _{rms} max@25°C @10kHz	du/dt (v/μs)	I _{peak} (A)	ESR @10kHz (mΩ)	
							Up-peak 1000Vac
PCH1000K4.7	4.7	10	120	460	2162	1.1	
PCH1000K3.3	3.3	13	110	470	1551	1.2	
PCH1000K1.5	1.5	27	100	1010	1515	1.2	
PCH1000K1.0	1.0	40	100	1390	1390	1.3	
		Up-peak 1500Vac	U _{rms} 550Vac				
PCH1500K1.0	1.0	33	80	590	590	2.6	
PCH1500K0.68	0.68	32	75	920	626	2.8	
PCH1500K0.60	0.60	36	75	920	552	2.9	
		Up-peak 2000Vac	U _{rms} 750Vac				
PCH2000K1.0	1.0	15	70	590	590	2.6	
PCH2000K0.68	0.68	22	70	660	449	2.8	
PCH2000K0.47	0.47	27	60	1230	578	2.9	
PCH2000K0.33	0.33	39	60	1350	446	3.1	
		Up-peak 3000Vac	U _{rms} 1000Vac				
PCH3000K0.24	0.24	33	50	1960	470	3.2	
PCH3000K0.15	0.15	48	45	2950	443	3.5	
PCH3000K0.12	0.12	53	40	3350	402	3.8	
PCH3000K0.10	0.10	64	40	3350	335	4.1	
PCH3000K0.08	0.08	70	40	3350	268	5.2	
PCH3000K0.06	0.06	80	30	4740	284	7.6	
PCH3000K0.04	0.04	80	30	4740	190	9.6	