

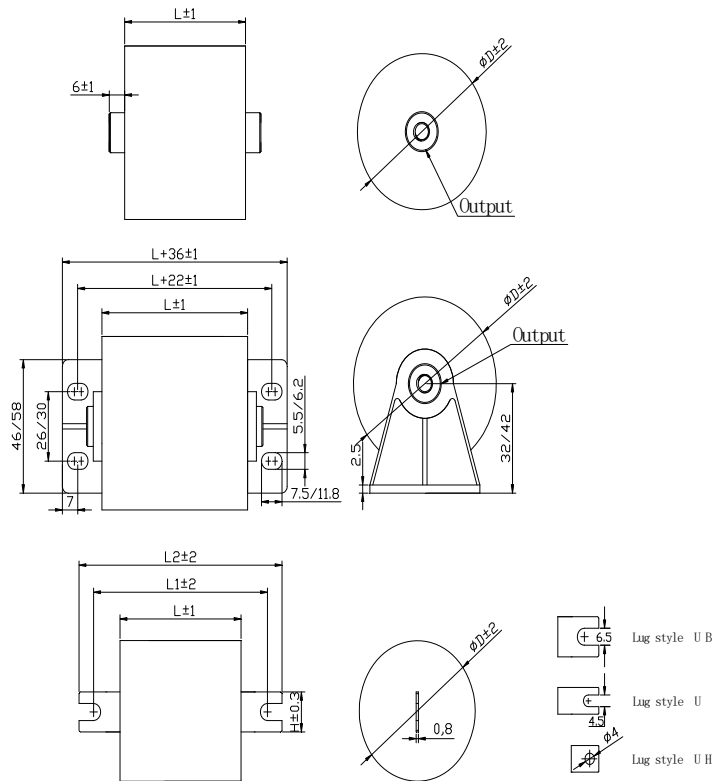
特点/ Features

- ◆ 聚丙烯薄膜介质 Polypropylene film
- ◆ 金属化聚丙烯薄膜 Metalized polypropylene film
- ◆ 具有自愈性 Self healing
- ◆ 低损耗, 低自感 Low loss Low inductance
- ◆ 迈拉胶带,环氧树脂封装 (94-V0) Polyester tape wrapping. Epoxy fill (94-V0) ,
- ◆ 镀锡铜螺母 Tinned copper.screw

技术性能 / Specifications

引用标准	Reference standards :	IEC 61071-60068
使用温度范围	Operating temperature range	-40 to + 85°C(max hotspot≤70°C)
储存温度	Storage temperature	-40 to + 85°C
容量范围	Capacitance range	5.0~100μF
额定电压	Rated Voltage:	400 to 1200Vdc
电容量偏差	Capacitance tolerance	± 5%(J) ± 10%(K)
绝缘电阻	Insulation resistance:	≥5,000s after 1 minute of electrification at 100Vdc (25±5°C)
极间耐电压	Test voltage between terminals :	1.5Un applied for 10s at 25±5°C
极壳电压	Test voltage between terminals and case :	3.0 KV 50Hz for 60 sec
预期寿命	Life expectancy :	100,000 hours at Un and 70°C

图形尺寸说明:



L (mm)	Lug style UB		Lug style U	
	L1	L2	L1	L2
44			L+24	L+34
60	L+18	L+32	L+22	L+32

常用规格技术参数 General Electrical data

Part Number	CAP μF	Dimension (mm)		du/dt	I _{rms} @25°C @10kHz	ESR@ 1.0kHz	Output insert
		L	D	v/μs			
Un 400Vdc Urms 250Vac							
PHB 400J20-*-*#	20	40	44	70	27	3.5	M6
PHB 400J25-*-*#	25	50	47	60	32	3.0	M6
PHB 400J30-*-*#	30	50	50	60	37	2.8	M6
PHB 400J40-*-*#	40	50	58	60	46	2.5	M6
PHB 400J50-*-*#	50	50	64	60	54	2.2	M6
PHB 400J60-*-*#	60	60	57	60	46	2.9	M6
PHB 400J80-*-*#	80	60	66	60	56	2.0	M6
PHB 400J100-*-*#	100	60	74	60	66	1.8	M6
PHB 400J150-*-*#	150	64	90	30	90	1.6	M8
PHB 400J200-*-*#	200	64	104	30	100	1.2	M8
Un 800Vdc Urms 400Vac							
PHB 800J10-*-*#	10	40	42	80	25	4.5	M6
PHB 800J15-*-*#	15	50	44	70	32	3.3	M6
PHB 800J20-*-*#	20	50	52	70	40	2.8	M6
PHB 800J25-*-*#	25	50	58	70	45	2.5	M6
PHB 800J30-*-*#	30	50	63	70	50	2.1	M6
PHB 800J40-*-*#	40	60	63	50	48	3.0	M6
PHB 800J50-*-*#	50	60	70	50	55	2.6	M6
PHB 800J60-*-*#	60	60	76	50	65	2.3	M6
PHB 800J80-*-*#	80	64	88	50	80	2.0	M8
PHB 800J100-*-*#	100	64	98	50	95	1.8	M8
Un 1000Vdc Urms 500Vac							
PHB 1000J5-*-*#	5	50	41	120	23	5.4	M6
PHB 1000J10-*-*#	10	50	58	120	38	3.2	M6
PHB 1000J15-*-*#	15	50	70	120	52	2.5	M8
PHB 1000J15-*-*#	15	64	58	80	38	2.9	M6
PHB 1000J20-*-*#	20	64	66	80	47	3.1	M6
PHB 1000J25-*-*#	25	64	74	80	55	2.7	M6
PHB 1000J30-*-*#	30	64	81	80	65	2.4	M8
PHB 1000J40-*-*#	40	64	93	80	78	2.1	M8
PHB 1000J50-*-*#	50	64	104	80	90	2.0	M8
Un 1200Vdc Urms 550Vac							
PHB 1200J5-*-*#	5	40	44	120	23	5.0	M6
PHB 1200J10-*-*#	10	50	58	100	38	3.3	M6
PHB 1200J15-*-*#	15	50	70	100	52	2.6	M6
PHB 1200J20-*-*#	20	60	66	80	45	3.3	M6
PHB 1200J25-*-*#	25	60	74	80	55	3.0	M6
PHB 1200J30-*-*#	30	64	81	80	65	2.6	M8
PHB 1200J40-*-*#	40	64	93	80	78	2.3	M8
PHB 1200J50-*-*#	50	64	104	80	90	2.0	M8

常用规格技术参数 General Electrical data

Part Number	CAP μF	Dimension (mm)		du/dt v/μs	I _{rms} @25°C @10kHz	ESR@ 1.0kHz
		L	D			
Un 400Vdc Urms 250Vac						
PHB 400J3.0-*-*#	3.0	37	21	74	9	8.5
PHB 400J5.0-*-*#	5.0	37	26	74	13	5.8
PHB 400J10-*-*#	10	44	30	60	16	5.4
PHB 400J15-*-*#	15	44	36	60	22	4.0
PHB 400J20-*-*#	20	44	41	60	27	3.5
PHB 400J25-*-*#	25	44	47	60	32	2.6
PHB 400J30-*-*#	30	60	41	30	27	4.0
PHB 400J40-*-*#	40	60	48	30	34	3.1
PHB 400J50-*-*#	50	60	53	30	40	2.5
Un 800Vdc Urms 400Vac						
PHB 800J2.0-*-*#	2.0	37	22	110	10	11.0
PHB 800J3.0-*-*#	3.0	37	27	110	14	7.5
PHB 800J5.0-*-*#	5.0	37	34	110	16	6.0
PHB 800J10-*-*#	10	44	37	70	22	4.0
PHB 800J15-*-*#	15	44	45	70	31	3.0
PHB 800J20-*-*#	20	60	45	50	30	3.5
PHB 800J25-*-*#	25	60	50	50	35	3.0
PHB 800J30-*-*#	30	60	55	50	40	2.5
PHB 800J40-*-*#	40	60	63	50	50	2.3
Un 1200Vdc Urms 500Vac						
PHB 1200J1.0-*-*#	1.0	37	23	190	9	12.0
PHB 1200J2.0-*-*#	2.0	37	32	190	15	6.5
PHB 1200J3.0-*-*#	3.0	44	32	120	17	8.5
PHB 1200J5.0-*-*#	5.0	44	41	120	23	5.5
PHB 1200J10-*-*#	10	60	48	80	29	5.3
PHB 1200J15-*-*#	15	60	58	80	38	4.0
PHB 1200J20-*-*#	20	60	67	80	47	3.2

产品编码说明: **PHB800J20-M6-50** "M6" = "M6 or M8" 50="Length"
 产品编码说明: **PHB1200J20-L-60** "L" = L,H,U... Lug 60="Length"