

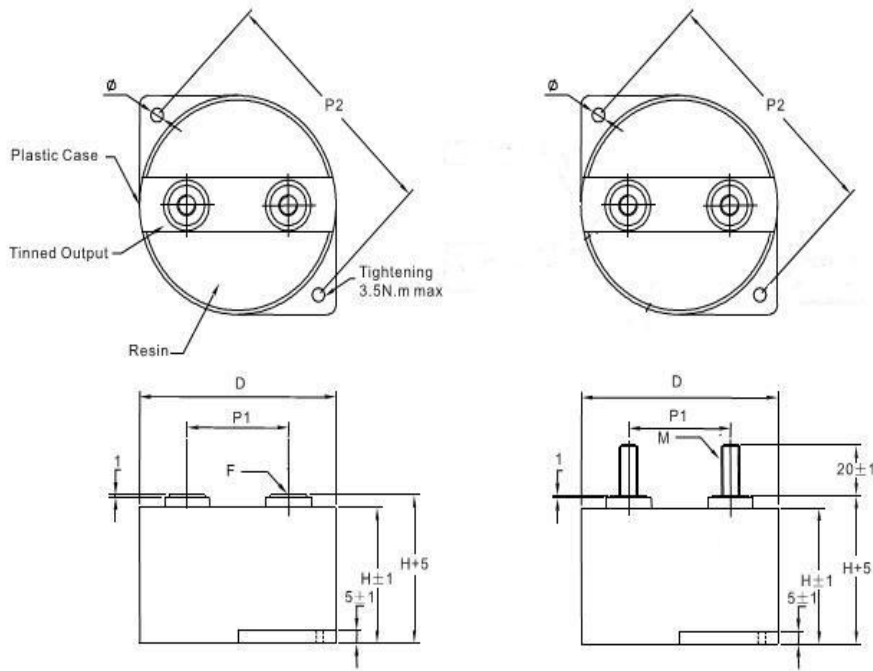
特点/ Features

- ◆ 聚丙烯薄膜介质
- ◆ 金属化聚丙烯薄膜
- ◆ 具有自愈性
- ◆ 低损耗, 低自感

- Polypropylene film
- Metalized polypropylene film
- Self healing
- Low loss Low inductance

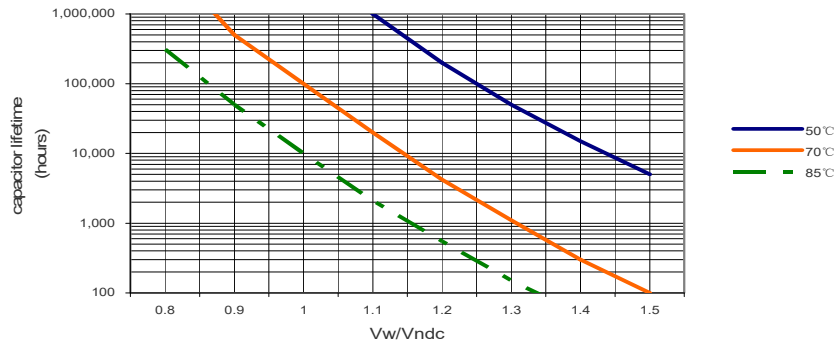
引用标准	Reference standards :	IEC 61071-60068
使用温度范围	Operating temperature range	-40 to + 85°C(max hotspot≤70°C)
储存温度	Storage temperature	-40 to + 85°C
容量范围	Capacitance range	6.8~300μF
额定电压	Rated Voltage:	500 to2200Vdc
电容量偏差	Capacitance tolerance	± 5%(J) ± 10%(K)
绝缘电阻	Insulation resistance:	≥5,000s after 1 minute of electrification at 100Vdc (25 ±5°C)
极间耐电压	Test voltage between terminals :	1.5Un applied for 10s at 25±5°C
极壳电压	Test voltage between terminals and case :	3.0 KV 50Hz for 60 sec
预期寿命	Life expectancy :	100,000 hours at Un and 70°C

产品尺寸说明:



Case code	D (mm)	Out put		P1 (mm)	P2 (mm)	φ (mm)
		1	2			
1	87	M8*20	M6*8	45±1	100	5.5
2	115	M10*20	M6*8	60±1	132	6.5

LIFETIME EXPECTANCY vs HOT SPOT TEMPERATURE AND VOLTAGE



Vw :permanent working or operating DC-voltage

常用规格技术参数 **General Electrical data**

Part Number	Capacitance (μF)	Diameter (mm)	Height (mm)	LS max. (nH)	du/dt (v/μs)	Irms max.	ESR (mΩ)	Rth (k/W)
Un dc 500V								
PMC500K125	125	87	40	25	37	90	0.7	6.8
PMC500K200	200	87	50	32	25	90	0.8	5.9
PMC500K275	275	87	64	40	16	85	0.9	5.0
Un dc 700V								
PMC700K100	100	87	40	25	48	90	0.6	6.8
PMC700K150	150	87	50	32	32	90	0.7	5.9
PMC700K220	220	87	64	40	21	85	0.9	5.0
Un dc 900V								
PMC900K68	68	87	40	25	56	80	0.8	6.8
PMC900K100	100	87	50	32	37	80	0.9	5.9
PMC900K140	140	87	64	40	25	75	1.2	5.0
Un dc 1100V								
PMC900K47	47	87	40	25	73	75	0.9	6.8
PMC900K68	68	87	50	32	49	75	1.1	5.9
PMC900K100	100	87	64	40	33	70	1.4	5.0
Un dc 1200V								
PMC1200K25	25	87	40	25	90	60	1.2	6.8
PMC1200K35	35	87	50	32	70	60	1.5	5.9
PMC1200K50	50	87	64	40	50	55	2.0	5.0
Un dc 1500V								
PMC1500K18	18	87	40	25	113	55	1.2	6.8
PMC1500K25	25	87	50	32	85	55	1.7	5.9
PMC1500K35	35	87	64	40	60	50	2.2	5.0
Un dc 1800V								
PMC1800K10	10	87	40	25	175	50	1.5	6.8
PMC1800K15	15	87	50	32	120	50	2.0	5.9
PMC1800K22	22	87	64	40	80	45	2.5	5.0
Un dc 2200V								
PMC2200K6.8	6.8	87	40	25	200	50	1.7	6.8
PMC2200K10	10	87	50	32	150	50	2.3	5.9
PMC2200K15	15	87	64	40	100	45	2.9	5.0

产品编码: PMC1100K68 – F-87 "F" = F for Internal thread, M for lead screw "87" = Diameter