

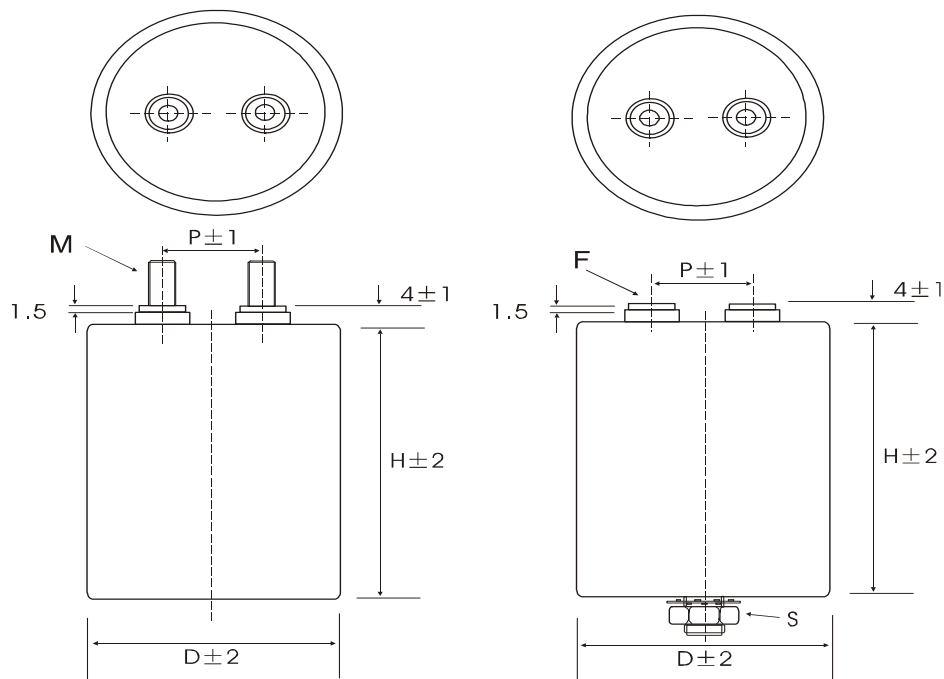
特点/ Features

- | | |
|------------------------|---|
| ◆聚丙烯薄膜介质 | Polypropylene film |
| ◆金属化聚丙烯薄膜 | Metalized polypropylene film |
| ◆具有自愈性 | Self healing |
| ◆低损耗, 低自感 | Low loss Low inductance |
| ◆迈拉胶带,环氧树脂封装 (UL94-V0) | Polyester tape wrapping. Epoxy fill (94-V0) , |
| ◆干式无感结构, 铝壳封装, | Aluminum case |

技术性能 / Specifications

引用标准	Reference standards :	IEC 61071-60068
使用温度范围	Opearing temperature range	-40 to + 85°C(max hotspot ≤ 70°C)
储存温度	Storage temperature	-40 to + 85°C
容量范围	Capacitance range	50~1000μF
额定电压	Rated Voltage:	800 to 2000Vdc
电容量偏差	Capacitance tolerance	± 5%(J) ± 10%(K)
绝缘电阻	Insulation resistance:	≥10000s after 1 minute of electrification at 100Vdc (25± 5°C)
极间耐电压	Test voltage between terminals :	1.5Un applied for 10s at 25±5°C
极壳电压	Test voltage between terminals and case :	3.0 KV 50Hz for 60 sec
预期寿命	Life expectancy :	100,000 hours at Un and 70°C

Outline drawing:



Clamp mounting

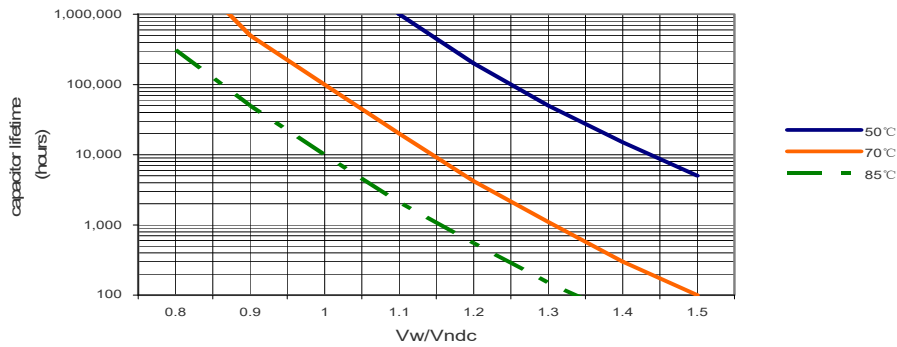
Stud mounting

Case	Out put				Stud mounting		
	M	Torque	F	Torque	P	S	Torque
D=76,86	M8×20	8.5N.M MAX	M6×20	4.5N.M MAX	32.0	M12×16	8 N.M Max

PROTECTION AGAINST OVERVOLTAGES

$1.1 \times U_n$	30% of the service period
$1.15 \times U_n$	30 min/d
$1.2 \times U_n$	5 min/d
$1.3 \times U_n$	1 min/d
$1.5 \times U_n$	100 ms no more than 1000 times

EXPECTED LIFE



常用规格技术参数 General Electrical data

Ordering Code	Cap (μF)	D (mm)	H (mm)	P (mm)	I _{rms} @25°C @10kHz (A)	ESR@ 1.0kHz	RTH (k/w)	Weight (kg)
Un 800VDC Us 1200V								
PHE800K430-*#	430	76	120	32	40	4.3	3.9	0.65
PHE800K550-*#	550	86	120	32	46	3.7	3.5	0.85
PHE800K1000-*#	1000	86	225	32	76	2.6	1.8	1.50
Un 1000VDC Us 1500V								
PHE1000K275-*#	275	76	120	32	37	5.0	3.9	0.65
PHE1000K500-*#	500	76	225	32	63	3.3	2.0	1.25
PHE1000K680-*#	680	86	225	32	73	2.8	1.8	1.50
Un 1200VDC Us 1800V								
PHE1200K200-*#	200	76	120	32	35	5.5	3.9	0.65
PHE1200K370-*#	370	76	225	32	61	3.6	2.0	1.25
PHE1200K470-*#	470	86	225	32	69	3.1	1.8	1.50
Un 1400VDC Us 2100V								
PHE1400K270-*#	270	76	225	32	58	4.0	2.0	1.25
PHE1400K350-*#	350	86	225	32	66	3.4	1.8	1.50
Un 1600VDC Us 2400V								
PHE1600K140-*#	140	86	120	32	36	5.9	3.5	0.85
PHE1600K270-*#	270	86	225	32	64	3.7	1.8	1.50
Un 1800VDC Us 2700V								
PHE1800K160-*#	160	76	225	32	52	4.8	2.0	1.25
PHE1800K200-*#	200	86	225	32	60	4.1	1.8	1.50
Un 2000VDC Us 3000V								
PHE2000K130-*#	130	76	225	32	36	10.4	2.0	1.25
PHE2000K170-*#	170	86	225	32	42	8.6	1.8	1.50
Un 2400VDC Us 3600V								
PHE2400K90-*#	90	76	225	32	33	12.0	2.0	1.25
PHE2400K120-*#	120	86	225	32	39	9.7	1.8	1.50
Un 3200VDC Us 4800V								
PHE3200K50-*#	50	76	225	32	29	15.3	2.0	1.25
PHE3200K65-*#	65	86	225	32	35	12.4	1.8	1.50