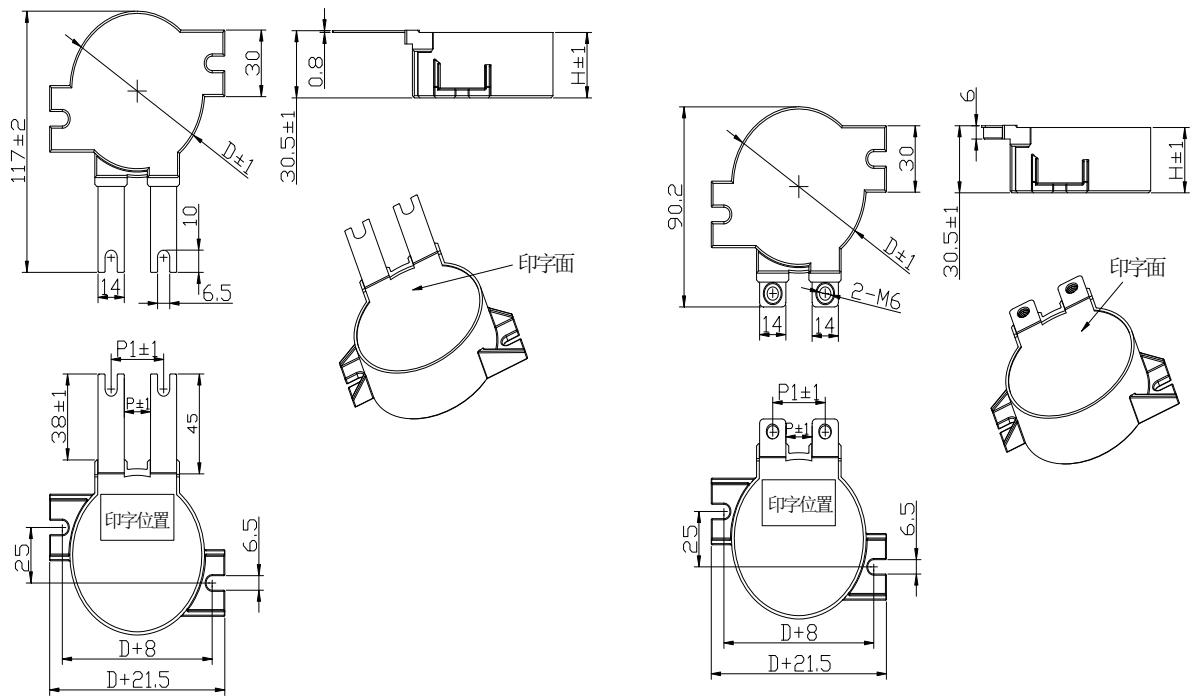


特点/ Features

- ◆ 聚丙烯薄膜介质 Polypropylene film
- ◆ 金属化聚丙烯薄膜 Metalized polypropylene film
- ◆ 具有自愈性 Self healing
- ◆ 低损耗, 低电感 Low loss Low inductance
- ◆ 迈拉胶带,环氧树脂封装 (UL94-V0) Polyester tape wrapping. Epoxy fill (94-V0) ,
- ◆ 铝壳封装,阻燃环保塑料外壳 Aluminum case, Resistant plastic case

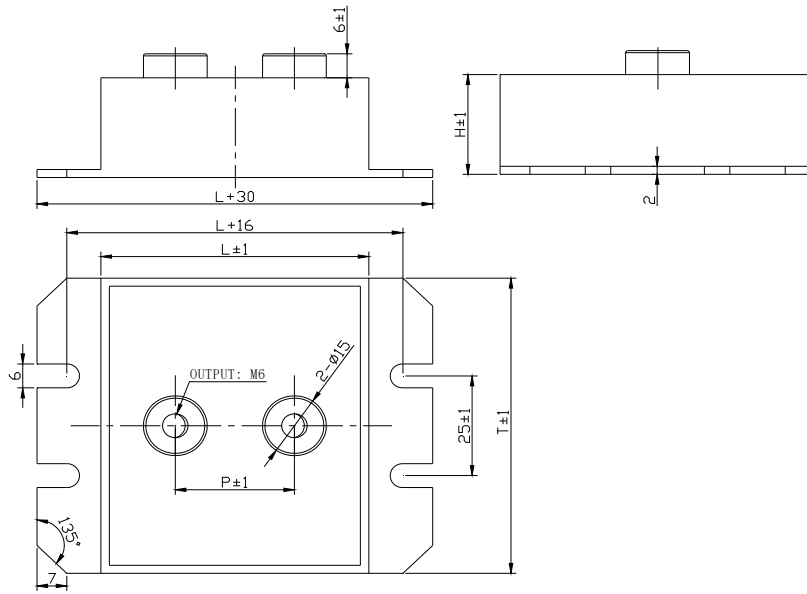
引用标准	Reference standards :	IEC 61071-60068
使用温度范围	Opearing temperature range	-40 to + 85°C(max hotspot≤70°C)
储存温度	Storage temperature	-40 to + 85°C
容量范围	Capacitance range	30~50μF
额定电压	Rated Voltage:	800Vdc
电容量偏差	Capacitance tolerance	± 5%(J) ± 10%(K)
绝缘电阻	Insulation resistance:	≥10000s after 1 minute of electrification at 100Vdc (25±5°C)
极间耐电压	Test voltage between terminals :	1.5Un applied for 10s at 25±5°C
极壳电压	Test voltage between terminals and case :	3.0 KV 50Hz for 60 sec
预期寿命	Life expectancy :	100,000 hours at Un and 70°C



Style A

Ordering Code	Cap (μF)	D (mm)	H (mm)	P1 (mm)	P (mm)	du/dt (v/μs)	Ls (nH)	Irms@45°C @10kHz	ESR@ 1.0kHz(mΩ)
Un 800v.dc Us 1200c									
PHB-C800K20A	20	72	29.5	28	14	70	25	50	2.3
PHB-C800K30-A	30	72	29.5	28	14	70	25	60	2.0
PHB-C800K40-A	40	72	29.5	28	14	70	25	70	1.7

外形尺寸图:

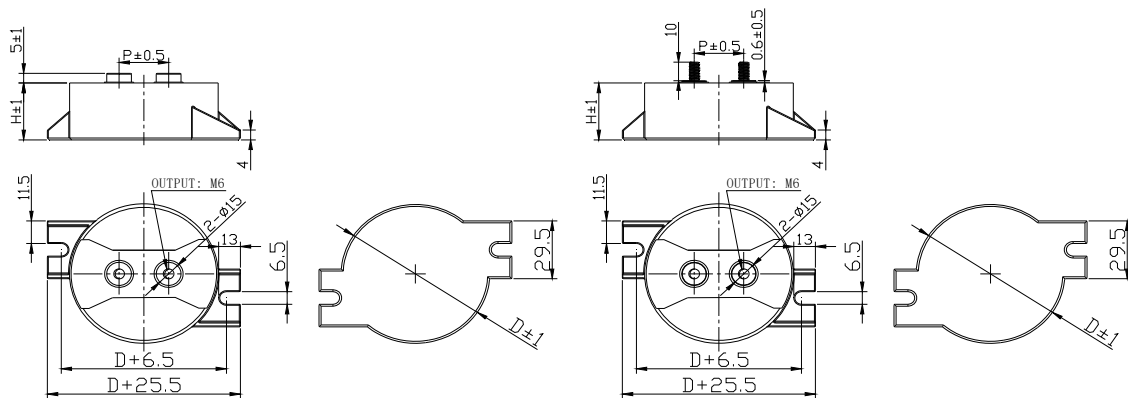


Style B

Electrical specifications

Ordering Code	Cap ( $\mu$ F)	L (mm)	T (mm)	H (mm)	P (mm)	du/dt (v/ $\mu$ s)	Ls (nH)	I <sub>rms</sub> @45°C @10kHz	ESR@ 1.0kHz(m $\Omega$ )
PHB-C800K20- B	20	63	74	25	28	50	30	40	4.6
PHB-C800K30- B	30	63	74	30	28	50	30	50	3.3
PHB-C800K40- B	40	63	74	40	28	50	30	60	2.4
PHB-C800K45- B	45	63	74	45	28	50	30	65	2.3
PHB-C800K50- B	50	63	74	45	28	50	30	70	2.2

外形尺寸图:



Style C

Ordering Code	Cap ( $\mu$ F)	D (mm)	H (mm)	P1 (mm)	du/dt (v/ $\mu$ s)	Ls (nH)	I <sub>rms</sub> @45°C @10kHz	ESR@ 1.0kHz(m $\Omega$ )
Un 800v.dc Us 1200c								
PHB-C800J20- C	20	73.5	29.5	28	70	25	50	2.3
PHB-C800J30- C	30	73.5	29.5	28	70	25	60	2.0

产品编码说明： PHB-C500K5.0-A "A" = "A(Case)", "B" = "B(Case)", "C" = "C(Case)"