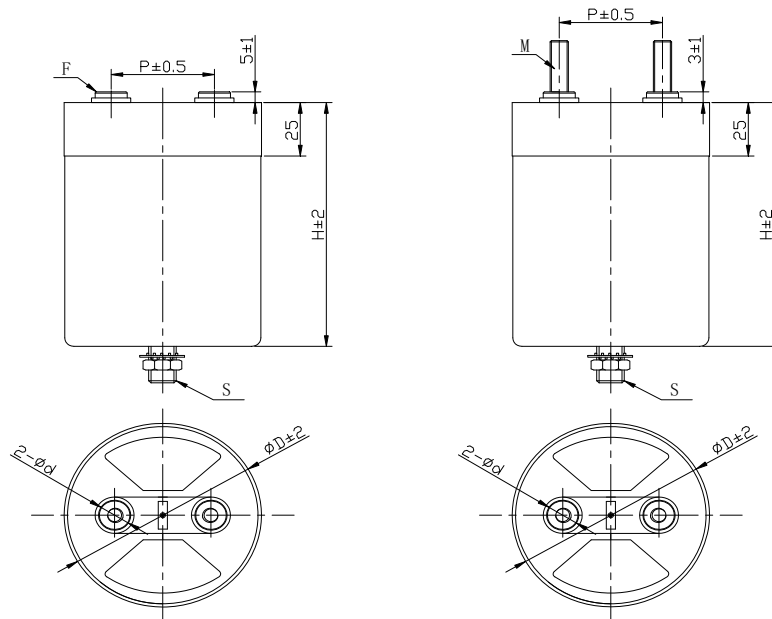


### 特点/ Features

- ◆ 聚丙烯薄膜介质 Polypropylene film
- ◆ 金属化聚丙烯薄膜 Metalized polypropylene film
- ◆ 具有自愈性 Self healing
- ◆ 低损耗, 低自感 Low loss Low inductance
- ◆ 迈拉胶带, 环氧树脂封装 (UL94-V0) Polyester tape wrapping. Epoxy fill (94-V0) ,
- ◆ 干式无感结构, 铝壳封装, 阻燃塑料外壳 Aluminum case

### 技术性能 / Specifications

引用标准	Reference standards :	IEC 61071-60068
使用温度范围	Operating temperature range	-40 to + 85°C (max hotspot ≤ 70°C)
储存温度	Storage temperature	-40 to + 85°C
容量范围	Capacitance range	33~3200μF
额定电压	Rated Voltage:	700 to 4000Vdc
电容量偏差	Capacitance tolerance	± 5%(J) ± 10%(K)
绝缘电阻	Insulation resistance:	≥ 10000s after 1 minute of electrification at 100Vdc (25± 5°C)
极间耐电压	Test voltage between terminals :	1.5Un applied for 10s at 25±5°C
极壳电压	Test voltage between terminals and case :	3.0 KV 50Hz for 60 sec
预期寿命	Life expectancy :	100,000 hours at Un and 70°C

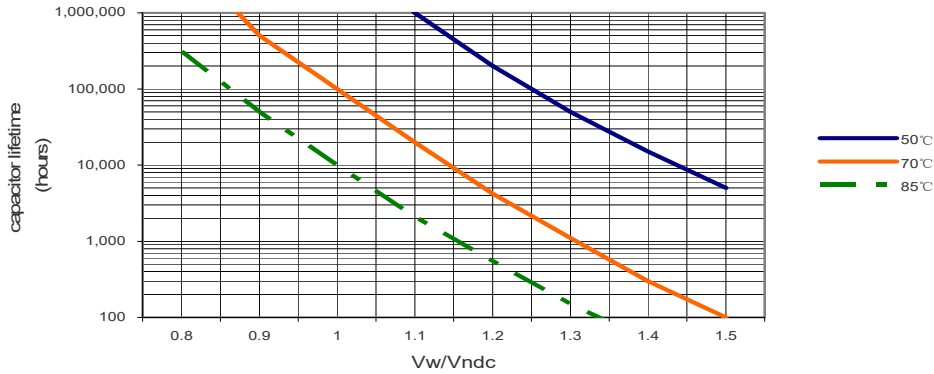


D (mm)	Out put				Stud mounting			
	F	Torque	M	Torque	P (mm)	d(mm)	S	Torque
76	M6×10	4.5 N.M Max	M8×20	8.5 N.M Max	32	15	M12×16	8 N.M Max
86	M6×10	4.5 N.M Max	M8×20	8.5 N.M Max	32	15	M12×16	8 N.M Max
96	M6×10	4.5 N.M Max	M8×20	8.5 N.M Max	45	15	M12×16	8 N.M Max
116	M6×10	4.5 N.M Max	M8×20	8.5 N.M Max	50	15	M12×16	8 N.M Max
136	M6×10	4.5 N.M Max	M8×20	8.5 N.M Max	50	16	M12×16	8 N.M Max

**PROTECTION AGAINST OVERVOLTAGES**

1.1 × Un	30% of the service period
1.15 × Un	30 min/d
1.2 × Un	5 min/d
1.3 × Un	1 min/d
1.5 × Un	100 ms no more than 1000 times

**EXPECTED LIFE**



**常用规格技术参数 General Electrical data**

Part Number	Cap (μF)	D (mm)	H (mm)	Ipeak	Irms@25°C	ESR@	Ls (nH)	Rth (k/W)	Wn (Ws)
				(KA)	@10kHz	1.0kHz			
		Un 900V.DC		Us 1350V	Ur 200V				
PCL900K370- *#	370	76	125	3.3	59	1.2	40	3.7	150
PCL900K390- *#	390	76	120	1.6	33	3.7	60	3.9	158
PCL900K450- *#	450	76	145	3.2	62	1.4	45	3.2	182
PCL900K490- *#	490	86	125	4.4	71	0.9	40	3.3	198
PCL900K520- *#	520	86	120	2.1	39	2.8	60	3.5	211
PCL900K570- *#	570	76	175	3.4	61	1.6	50	2.7	231
PCL900K600- *#	600	86	145	4.2	71	1.1	45	2.9	243
PCL900K750- *#	750	86	175	4.5	73	1.3	50	2.4	304
PCL900K780- *#	780	76	225	3.1	63	2.0	60	2.0	316
PCL900K1000- *#	1000	116	125	4.0	54	1.5	60	2.9	405
PCL900K1050- *#	1050	86	225	4.2	76	1.5	60	1.8	425
PCL900K1100- *#	1100	116	150	7.7	89	0.7	45	2.5	446
PCL900K1450- *#	1450	116	180	8.7	90	0.7	50	2.1	587
PCL900K2000- *#	2000	116	230	8.0	92	0.9	60	1.7	810
PCL900K2750- *#	2750	136	230	11.0	100	0.8	60	1.5	1114
		Un 1100V.DC		Us 1650V	Ur 250V				
PCL1100K250- *#	250	76	120	1.5	32	4.6	60	3.9	151
PCL1100K330- *#	330	86	120	2.0	36	3.6	60	3.5	200
PCL1100K370- *#	370	86	130	1.9	36	3.8	60	3.2	224
PCL1100K400- *#	400	86	145	4.0	67	1.2	45	2.9	242
PCL1100K420- *#	420	86	155	4.2	69	1.3	45	2.7	254
PCL1100K500- *#	500	86	175	4.0	67	1.5	50	2.4	303
PCL1100K650- *#	650	116	125	3.9	49	1.9	60	2.9	393
PCL1100K680- *#	680	86	225	4.1	69	1.8	60	1.8	411
PCL1100K730- *#	730	116	150	7.3	82	0.8	45	2.5	442
PCL1100K900- *#	900	136	125	5.4	54	1.4	60	2.5	545
PCL1100K920- *#	920	116	180	7.4	82	0.9	50	2.1	557

# PULOM

## PCL series DC-Link

Part Number	Cap (µF)	D (mm)	H (mm)	Ipeak (KA)	Irms max. (A)	ESR (mΩ)	Ls (nH)	Rth (k/W)	Wn (Ws)
		Un 1100V.DC		Us 1650V		Ur 250V			
PCL1100K1250-*#	1250	116	230	7.5	84	1.1	60	1.7	756
PCL1100K1700-*#	1700	136	230	10.2	90	0.9	60	1.5	1029
PCL1100K1900-*#	1900	136	260	15.2	120	0.5	50	1.3	1150
PCL1100K2550-*#	2550	136	335	15.3	120	0.6	60	1.0	1543
		Un 1300V.DC		Us 1950V		Ur 250V			
PCL1300K170-*#	170	76	120	1.4	27	5.6	60	3.9	144
PCL1300K230-*#	230	86	120	1.8	33	4.2	60	3.5	194
PCL1300K330-*#	330	86	175	3.3	61	1.8	50	2.4	279
PCL1300K450-*#	450	116	125	3.6	45	2.3	60	2.9	380
PCL1300K470-*#	470	86	225	3.8	64	2.2	60	1.8	397
PCL1300K500-*#	500	116	150	6.5	76	0.9	45	2.5	423
PCL1300K630-*#	630	136	125	5.0	50	1.7	60	2.5	532
PCL1300K640-*#	640	116	180	6.4	77	1.0	50	2.1	541
PCL1300K850-*#	850	116	230	6.8	77	1.3	60	1.7	718
PCL1300K900-*#	900	136	180	9.0	84	0.8	50	1.9	761
PCL1300K1200-*#	1200	136	230	9.6	84	1.0	60	1.5	1014
PCL1300K1350-*#	1350	136	260	13.5	114	0.6	50	1.3	1141
PCL1300K1800-*#	1800	136	335	14.4	119	0.7	60	1.0	1521
		Un 1900V.DC		Us 2850V		Ur 400V			
PCL1900K100-*#	100	86	120	1.4	27	6.3	60	3.5	181
PCL1900K150-*#	150	86	175	2.9	51	2.6	50	2.4	271
PCL1900K190-*#	190	116	125	2.7	36	3.4	60	2.9	343
PCL1900K200-*#	200	86	225	2.8	52	3.3	60	1.8	361
PCL1900K220-*#	220	116	150	5.5	65	1.2	45	2.5	397
PCL1900K275-*#	275	136	125	3.9	41	2.4	60	2.5	496
PCL1900K280-*#	280	116	180	5.3	64	1.5	50	2.1	505
PCL1900K380-*#	380	116	230	5.3	65	1.8	60	1.7	686
PCL1900K400-*#	400	136	180	7.6	71	1.1	50	1.9	722
PCL1900K540-*#	540	136	230	7.6	72	1.3	60	1.5	975
PCL1900K600-*#	600	136	260	11.4	99	0.8	50	1.3	1083
PCL1900K800-*#	800	136	335	11.2	102	1.0	60	1.0	1444
		Un 2500V.DC		Us 3750V		Ur 600V			
PCL2500K95-*#	95	116	130	1.5	43	2.5	40	2.8	297
PCL2500K130-*#	130	136	130	2.1	47	1.9	40	2.4	406
PCL2500K200-*#	200	116	230	1.6	42	4.4	60	1.7	625
PCL2500K280-*#	280	136	230	2.2	46	3.2	60	1.5	875
		Un 3600V.DC		Us 5400V		Ur 800V			
PCL3600K42-*#	42	116	130	1.3	35	3.7	40	2.8	272
PCL3600K60-*#	60	136	130	1.8	40	2.7	40	2.4	389
PCL3600K88-*#	88	116	230	1.2	34	6.6	60	1.7	570
PCL3600K125-*#	125	136	230	1.8	38	4.7	60	1.5	810
		Un 4000V.DC		Us 6000V		Ur 900V			
PCL4000K33-*#	33	116	130	1.2	33	4.2	40	2.8	264
PCL4000K47-*#	47	136	130	1.6	37	3.0	40	2.4	376
PCL4000K70-*#	70	116	230	1.2	32	7.4	60	1.7	560
PCL4000K100-*#	100	136	230	1.7	36	5.3	60	1.5	800

产品编码: PCL1100K420 - FS

" F " = F for Internal thread, M for lead screw " S " = C for clamp, S for stud mounting