

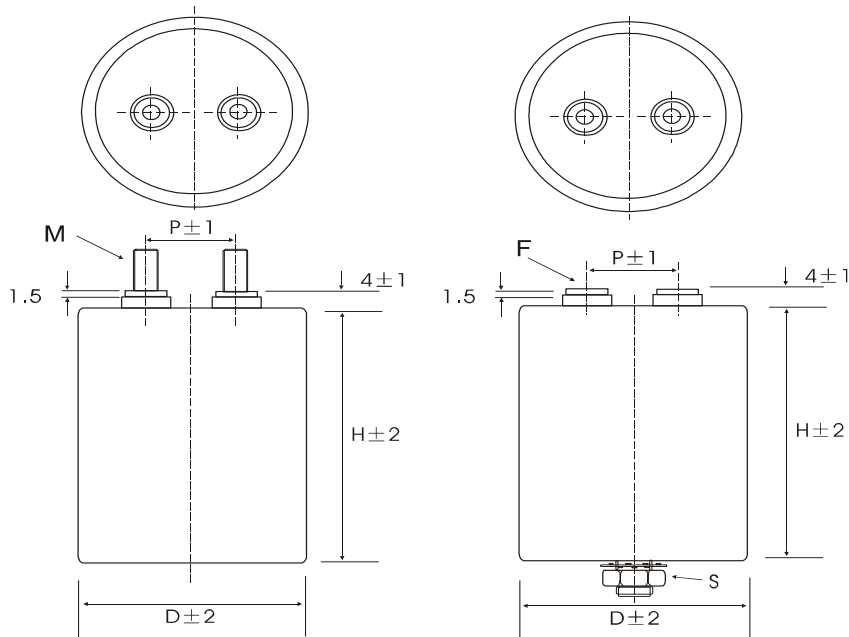
特点/ Features

- ◆ 聚丙烯薄膜介质 Polypropylene film
- ◆ 金属化聚丙烯薄膜 Metalized polypropylene film
- ◆ 具有自愈性 Self healing
- ◆ 低损耗, 低自感 Low loss Low inductance
- ◆ 迈拉胶带,环氧树脂封装 (UL94-V0) Polyester tape wrapping. Epoxy fill (94-V0) ,
- ◆ 干式无感结构, 铝壳封装, Aluminum case

技术性能 / Specifications

引用标准	Reference standards :	IEC 61071-60068
使用温度范围	Opearing temperature range	-40 to + 85°C(max hotspot≤70°C)
储存温度	Storage temperature	-40 to + 85°C
容量范围	Capacitance range	8~350μF
额定电压	Rated Voltage:	250 to 450Vac
电容量偏差	Capacitance tolerance	± 5%(J) ± 10%(K)
绝缘电阻	Insulation resistance:	≥10000s after 1 minute of electrification at 100Vdc (25±5°C)
极间耐电压	Test voltage between terminals :	1.5Un applied for 10s at 25±5°C
极壳电压	Test voltage between terminals and case :	3.0 KV 50Hz for 60 sec
预期寿命	Life expectancy :	100,000 hours at Un and 70°C

产品图形尺寸说明:



Clamp mounting

Stud mounting

Case	Out put				Stud mounting		
	M	Torque	F	Torque	P	S	Torque
D=55			M5×20	2.5N.M MAX	22.0	M10×12	6.0N.M MAX
D=60,65			M5×20	2.5N.M MAX	28.5	M12×16	8.0N.M MAX
D=76,86	M8×20	8.5N.M MAX	M6×20	4.5N.M MAX	32.0		

常用规格技术参数 General Electrical data

Part Number	CAP μF	Dimension (mm)			I _{rms} max@25°C	ESR @10kHz	RTH (k/W)
		D	H	P			
250Vac 50/60Hz , 400Vdc							
PAC 250 K 30- * #	30	55	55	22.0	27	2.8	9.7
PAC 250 K 50- * #	50	55	70	22.0	29	3.0	8.1
PAC 250 K 60- * #	60	60	70	28.5	31	2.7	7.5
PAC 250 K 70- * #	70	65	70	28.5	34	2.5	7.0
PAC 250 K 100- * #	100	55	125	22.0	44	2.2	5.0
PAC 250 K 120- * #	120	60	125	28.5	47	2.0	4.5
PAC 250 K 130- * #	130	65	125	28.5	49	2.0	4.3
PAC 250 K 150- * #	150	76	125	32.0	53	1.9	3.7
PAC 250 K 200- * #	200	86	125	32.0	59	2.8	3.3
PAC 250 K 250- * #	250	76	180	32.0	68	1.7	2.6
PAC 250 K 350- * #	350	86	180	32.0	74	1.6	2.3
330Vac 50/60Hz , 600Vdc							
PAC 330 K 15- * #	15	55	55	22.0	24	3.5	9.7
PAC 330 K 25- * #	25	55	70	22.0	25	4.0	8.1
PAC 330 K 33- * #	33	60	70	28.5	30	3.5	7.5
PAC 330 K 40- * #	40	65	70	28.5	32	3.0	7.0
PAC 330 K 50- * #	50	55	125	22.0	40	2.9	5.0
PAC 330 K 65- * #	65	60	125	28.5	44	2.5	4.5
PAC 330 K 75- * #	75	65	125	28.5	47	2.2	4.3
PAC 330 K 100- * #	100	76	125	32.0	52	2.0	3.7
PAC 330 K 130- * #	130	86	125	32.0	58	1.8	3.3
PAC 330 K 150- * #	150	76	180	32.0	65	1.7	2.6
PAC 330 K 200- * #	200	86	180	32.0	73	1.6	2.3
400Vac 50/60Hz , 700Vdc							
PAC 400 K 12- * #	12	55	55	22.0	24	3.5	9.7
PAC 400 K 15- * #	15	55	70	22.0	23	5.0	8.1
PAC 400 K 20- * #	20	60	70	28.5	25	4.0	7.5
PAC 400 K 25- * #	25	65	70	28.5	30	3.5	7.0
PAC 400 K 33- * #	33	55	125	22.0	38	3.0	5.0
PAC 400 K 40- * #	40	60	125	28.5	40	2.5	4.5
PAC 400 K 50- * #	50	65	125	28.5	45	2.3	4.3
PAC 400 K 70- * #	70	76	125	32.0	50	2.0	3.7
PAC 400 K 100- * #	100	76	180	32.0	65	1.8	2.6
PAC 400 K 130- * #	130	86	180	32.0	70	1.7	2.3
450Vac 50/60Hz , 850Vdc							
PAC 450 K 8- * #	8	55	55	22.0	23	4.0	9.7
PAC 450 K 12- * #	12	55	70	22.0	23	5.0	8.1
PAC 450 K 15- * #	15	60	70	28.5	25	4.0	7.5
PAC 450 K 22- * #	22	55	125	22.0	35	3.5	5.0
PAC 450 K 33- * #	33	65	125	28.5	40	2.5	4.3
PAC 450 K 47- * #	47	76	125	32.0	50	2.2	3.7
PAC 450 K 60- * #	60	86	125	32.0	55	2.0	3.3
PAC 450 K 70- * #	70	76	180	32.0	62	2.0	2.6
PAC 450 K 90- * #	90	86	180	32.0	70	1.8	2.3
500Vac 50/60Hz , 900Vdc							
PAC 500 K 45- * #	45	76	70	32.0	34	3.0	5.4
PAC 500 K 55- * #	55	76	80	32.0	32	3.2	5.1
PAC 500K 60- * #	60	86	70	32.0	40	2.5	4.5
PAC 500 K 72- * #	72	86	80	32.0	39	2.7	4.3
PAC 450 K 90- * #	90	76	125	32.0	49	1.7	4.1
PAC 450 K 110- * #	110	76	145	32.0	49	1.6	3.8
PAC 450 K 120- * #	120	86	125	32.0	56	1.5	3.5
PAC 450 K 150- * #	150	86	145	32.0	56	1.5	3.3
PAC 450 K 180- * #	180	96	145	45.0	63	1.4	2.9
550Vac 50/60Hz , 778Vdc							

PULOM

					PAC series	交流滤波电容器	
PAC 550 K 25-* #	25	76	70	32.0	38	3.1	5.4
PAC 550 K 30-* #	30	76	80	32.0	37	3.1	5.4
PAC 550 K 40-* #	40	76	95	32.0	37	3.1	4.7
PAC 550 K 50-* #	50	76	125	32.0	35	1.6	4.1
PAC 550 K 60-* #	60	76	145	32.0	53	1.6	3.8
PAC 550 K 68-* #	68	86	125	32.0	53	1.4	3.5
PAC 550 K 82-* #	82	86	145	32.0	60	1.4	3.3
PAC 550 K 110-* #	110	86	175	32.0	60	1.5	3.0
PAC 550 K 140-* #	140	96	175	45.0	69	1.3	2.6
PAC 550 K 160-* #	160	116	150	50.0	80	1.0	2.2
PAC 550 K 200-* #	200	116	180	50.0	82	1.2	2.0
PAC 550 K 280-* #	280	116	230	50.0	84	1.2	1.8
PAC 550 K 400-* #	400	136	230	50.0	97	1.1	1.5
690Vac 50/60Hz , 1050Vdc							
PAC 690 K 18-* #	18	76	70	32.0	36	3.7	5.4
PAC 690 K 22-* #	22	76	80	32.0	35	3.6	5.1
PAC 690 K 28-* #	28	76	95	32.0	35	3.7	4.7
PAC 690 K 35-* #	35	76	125	32.0	51	1.8	4.1
PAC 690 K 44-* #	44	76	145	32.0	52	1.8	3.8
PAC 690 K 58-* #	58	86	145	32.0	59	1.6	3.3
PAC 690 K 75-* #	75	86	175	32.0	59	1.6	3.0
PAC 690 K 95-* #	95	86	175	45.0	66	1.5	2.6
PAC 690 K 110-* #	110	116	150	50.0	78	1.2	2.2
PAC 690 K 145-* #	145	116	180	50.0	80	1.3	2.0
PAC 690 K 200-* #	200	116	230	50.0	82	1.3	1.8
PAC 690 K 280-* #	280	136	230	50.0	95	1.2	1.5
850Vac 50/60Hz , 1500Vdc							
PAC 850 K 10-* #	10	76	70	32.0	31	5.7	5.4
PAC 850 K 15-* #	15	76	80	32.0	33	4.6	5.1
PAC 850 K 20-* #	20	76	95	32.0	33	4.4	4.7
PAC 850 K 27-* #	27	76	125	32.0	50	2.0	4.1
PAC 850 K 34-* #	34	86	125	32.0	56	1.8	3.5
PAC 850 K 42-* #	42	86	145	32.0	57	1.8	3.3
PAC 850 K 56-* #	56	86	175	32.0	58	1.8	3.0
PAC 850 K 70-* #	70	96	175	45.0	64	1.6	2.6
PAC 850 K 80-* #	80	116	150	50.0	77	1.3	2.2
PAC 850 K 105-* #	105	116	180	50.0	78	1.4	2.0
PAC 850 K 150-* #	150	116	230	50.0	80	1.2	1.8
PAC 850 K 200-* #	200	136	230	50.0	93	1.3	1.5
1400Vac 50/60Hz , 2000Vdc							
PAC 1400 K 9-* #	9	76	120	32.0	33	6.5	4.2
PAC 1400 K 12-* #	12	86	120	32.0	39	5.1	3.6
PAC 1400 K 16-* #	16	86	175	32.0	57	2.4	3.3
PAC 1400 K 25-* #	25	86	225	32.0	60	2.2	2.6
PAC 1400 K 30-* #	30	96	225	45.0	67	2.0	2.3
PAC 1400 K 45-* #	45	116	230	50.0	81	1.6	1.8
PAC 1400 K 60-* #	60	136	230	50.0	93	1.4	1.5

产品编码说明:

PAC450K90 - FS "F" = F for Internal thread, M for lead screw "S" = C for clamp, S for stud mounting